

3 – step controller with room thermostat HC3S

User guide



Welcome

Thank you for buying the product! Your new device will provide years of reliable service. Using this 3 – step controller with room thermostat HC3S will provide more uniform comfort in your home through the seasons. Please read this manual for complete instructions on installing and operating your controller. If you require further assistance, please feel free to contact directly with Reventon Group Sp. z o.o.

In the box you will find

- 3 – step controller with room thermostat HC3S
- user guide
- jumper
- screws (4 pieces)

Service

We offer the warranty of 24 months from the sales day.

Technical data

Type of temperature sensor: gas membrane
 Temperature range: 10 - 30°C
 Accuracy: $\pm 1^\circ\text{C}$
 Power supply: 220 ~ 240 V / 50 ~ 60 Hz
 Inductive current load: 2 A
 Shell material: ABS (fireproof)
 Dimensions: 130 x 85 x 40 mm
 Ambient temperature: $t = -10 - 60^\circ\text{C}$, $\varphi < 85\%$
 Degree of protection: IP 30

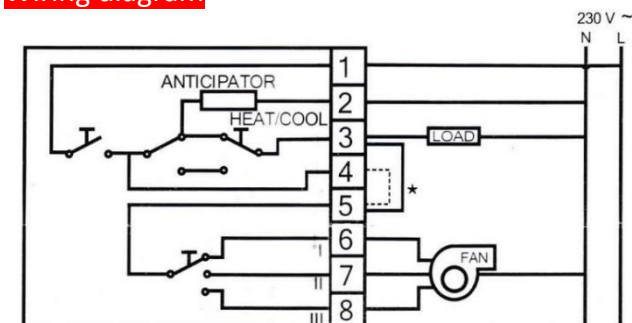
About device

3 – step controller with room thermostat HC3S is used to control operation of 3 – stage fan motor (i. e. changing its rotation speed). Device has two operation mode. In continuous mode controller turns on / off fan according to the position ON / OFF switch. In thermostatic mode device enables in easily and precise way to obtain and sustain required temperature in the room. It turns on / off controller, respectively, depending on the temperature difference between real and set by knob temperature. Simple design guarantees reliability of the device.

Features of the controller

- Modern design
- Simple operation
- Precise comfort control keeps temperature within $\pm 1^\circ\text{C}$ of the level you set
- 3-speed motor control
- Cooperation with heating and cooling devices
- Two operation mode – continuous and thermostatic
- Reliability
- Easy installation

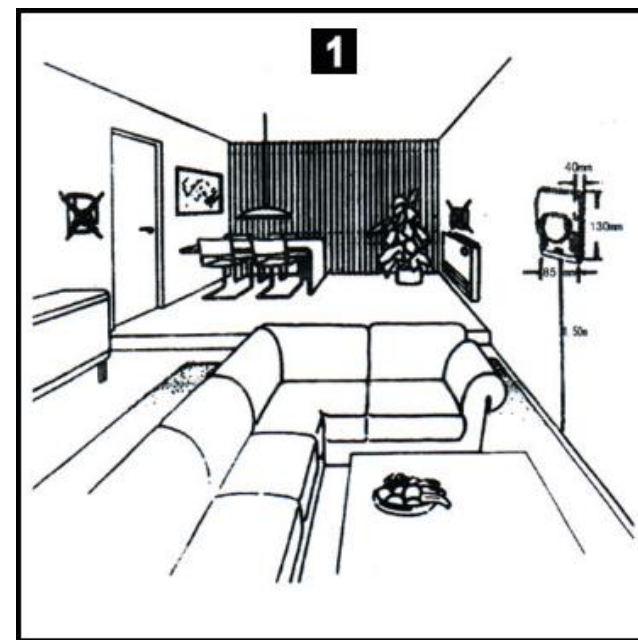
Wiring diagram

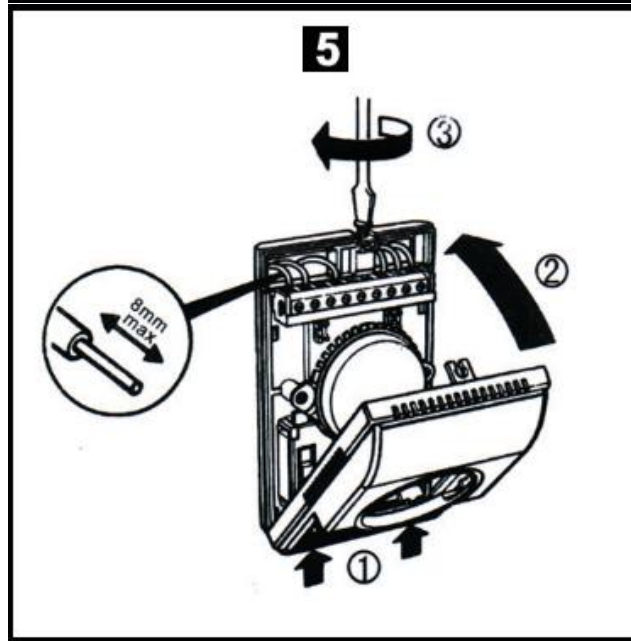
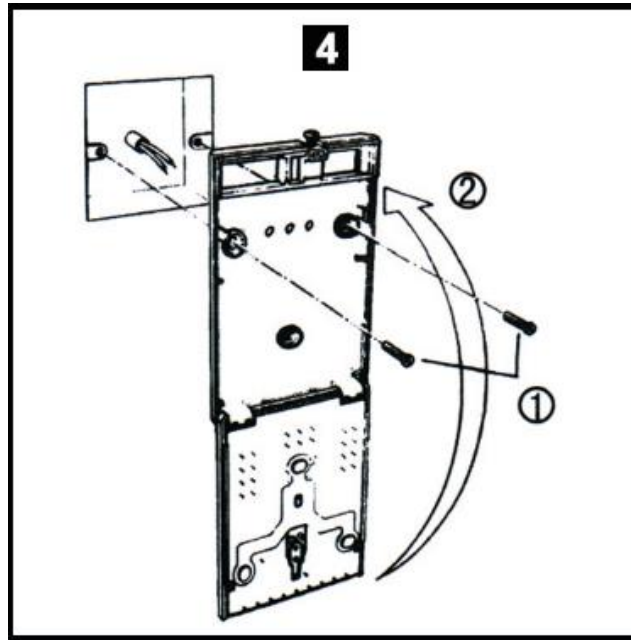
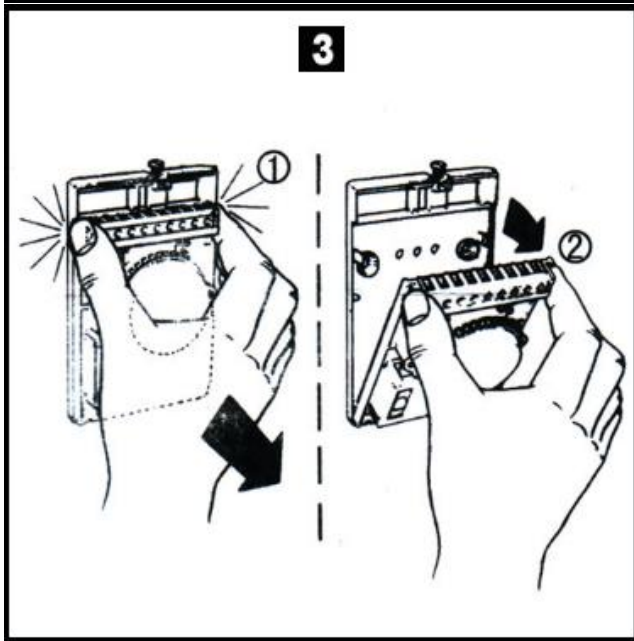
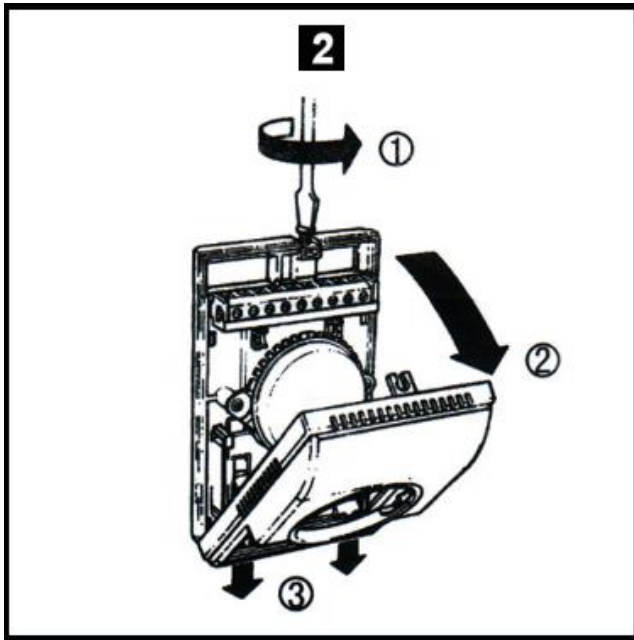


* LINK 4 & 5 FOR FAN CONTINUOUS, 3 & 5 FOR FAN AUTOMATIC (CYCLED)

Installing

It is recommended to install device according to the following points:





⚠ WARNING: Please arrange the professional technician to install this product according to installation drawing and instruction.

RISK OF ELECTRICAL SHOCK: Disconnect power supply before making electrical connection. Contact with components carrying hazardous voltage can cause electrical shock and may result in severe personal injury or death.